

5702
5702 R
5702 RH

One... Two... Three

The 5702 Family of Centrifuges

eppendorf

From a solo career to a successful trio

The Eppendorf 5702 family of centrifuges

Customer's needs are the reason we continue to advance our success story for the 5702 series. We have expanded the line with the addition of two new models: the refrigerated **Centrifuge 5702 R** and the temperature controlled **Centrifuge 5702 RH**.

All 5702 models can be used in a range of settings, from the clinical lab to the cell culture lab. With various fixed-angle and swing-bucket rotors available, they can accommodate almost any kind of tube.

An other advantage is that we have designed all rotors within the 5702 line to be interchangeable.

What do all of the 5702 models have in common?

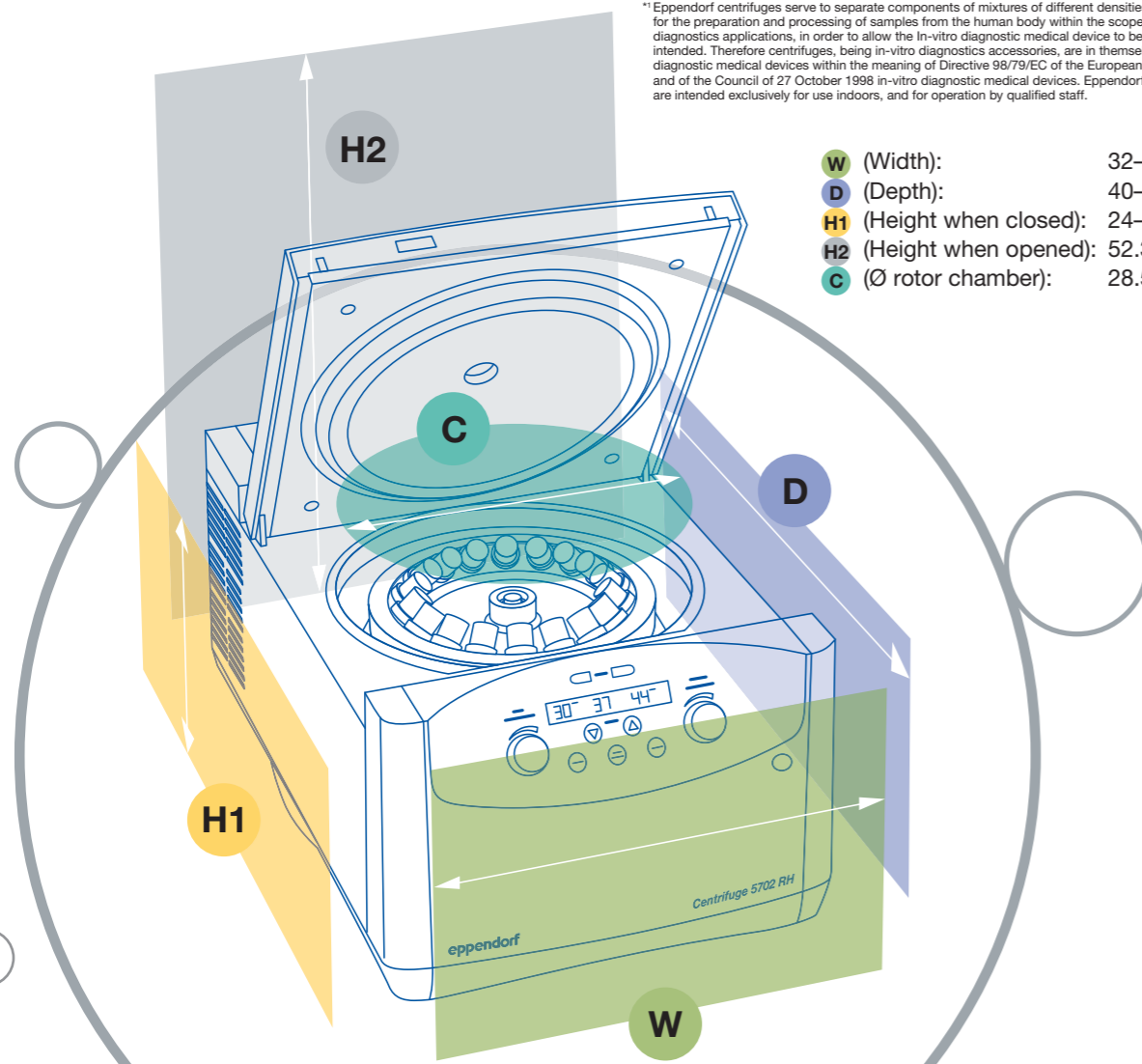
Product features

- Very compact design
- Low access height (see scale on the left side of the page)
- Dials and digital display
- Automatic motorized locking of the lid
- Slow startup and braking through the SOFT function
- Stainless steel rotor chamber (rust-proof)
- Optimized air flow directed backwards
- Conforms to the following safety and application requirements:



*1 Eppendorf centrifuges serve to separate components of mixtures of different densities, especially for the preparation and processing of samples from the human body within the scope of In-vitro diagnostics applications, in order to allow the In-vitro diagnostic medical device to be used as intended. Therefore centrifuges, being In-vitro diagnostic accessories, are in themselves In-vitro diagnostic medical devices within the meaning of Directive 98/79/EC of the European Parliament and of the Council of 27 October 1998 in-vitro diagnostic medical devices. Eppendorf centrifuges are intended exclusively for use indoors, and for operation by qualified staff.

- **W** (Width): 32–38 cm
- **D** (Depth): 40–58 cm
- **H1** (Height when closed): 24–26 cm
- **H2** (Height when opened): 52.3–59.5 cm
- **C** (Ø rotor chamber): 28.5–31 cm



Model 1: for clinical applications

Centrifuge 5702 (no temperature control)

The economical centrifuge for the clinical lab. With various fixed-angle and swing-bucket rotors and an extensive range of adapters, nearly all types of tubes can be used.



Specific product feature

- Automatic lid release following application sequence

Application example for Centrifuge 5702:

Rotor **A-4-38** including round bucket (5702 720.003) with adapter (5702 719.005) for Vacuette[®]*, Monovette[®]** or Vacutainer[®]*** 2.6 mL–7 mL for infectious samples (with aerosol-tight lid).



Clinical applications include:

- Routine centrifugation
- Plasma and serum purification

* Registered trademark of Greiner Bio-One.
** Registered trademark of Sarstedt.
*** Registered trademark of Becton Dickinson.

Model 2: safe for refrigerated samples

Centrifuge 5702 R (refrigerated)

This model has all the product characteristics that make refrigerated Eppendorf centrifuges so outstanding:

If the centrifuge has not yet reached the correct temperature via standby refrigeration, you can quickly reach the desired temperature by using the FastTemp function. Like-wise, standby refrigeration will maintain a particular temperature following use. Precise centrifugation is made possible through the "at set rpm" function, time is counted down once the set rpm is reached. As a result, different centrifugal runs can be more easily reproduced.

Specific product features

- Adjustable from -9 °C to 40 °C
- Standby refrigeration
- FastTemp function
- "at set rpm" function
- Two programming keys to store routine procedures (back-lit in blue)



Application example for Centrifuge 5702 R:

Rotor **F-35-30-17** including 30 steel sleeves (5702 704.008) for 20 x 15 mL conical tubes



Molecular biology applications include:

- Centrifugation of cell cultures
- Safe holding at 4 °C
- Spin down centrifugation of bacterial suspension

Model 3: precise and active temperature control

Centrifuge 5702 RH (temperature-controlled)

Your body feels active at 37 °C. What about your cells? For active cells, Eppendorf offers a centrifuge with unique temperature control capabilities. It is the first centrifuge from Eppendorf that can consistently maintain special temperatures above room temperature. Temperature-sensitive cells or cell cultures can be centrifuged at defined temperatures, particularly at or near 37 °C.

Specific product features

- Adjustable from -9 °C to 42 °C
- Immediately ready-for-use via standby heating/refrigeration
- Temperature holds steady at 4 °C and at 37 °C ± 1 °C
- Active heating
- More precise temperature control, software-controlled (rotor-dependent)



Application example for Centrifuge 5702 RH:

Rotor **F-45-24-11** (5702 746.002) or **F-45-18-17 Cryo** (5702 747.009) and adapter (5702 752.002)



Human medicine applications include:

- Gentle centrifugation of sperm (IVF labs)
- Spin down centrifugation of temperature-sensitive human cells

Operation: simply intuitive

All 5702 centrifuges have a user-friendly control panel with a small number of clearly-labeled function keys/knobs and an easy-to-read LCD display.

Simple operation

- Large dials and an easy-to-read display
- Switch between rpm/rcf
- Speed can be set from 100 rpm to a max. of 4,400 rpm, increments of 100
- Separate “short-spin” button
- Timer can be set for up to 99 minutes
- Continuous mode can be selected

Temperature control versions:

- Two programming keys to store routine procedures
- Separate FastTemp key



Rotors

Swing-bucket rotors for the Centrifuges 5702 / 5702 R / 5702 RH



Swing-bucket rotor A-4-38

- Aluminum rotor available with and without round buckets
- Four aerosol-tight round buckets of 85 mL capacity
- Aerosol-tight lids*
- Optional: 4 rectangular buckets of 90 mL capacity
- Maximum rotational speed: 4,400 rpm (max. rcf: 3,000 × g)
- High g-forces even with short tubes
- Round buckets for centrifugation of blood samples

* Tested by the Centre for Applied Microbiology & Research (CAMR), Porton Down, Great Britain.

Swing-bucket rotor A-8-17

- Equipped with 8 inserts
- Maximum rotational speed: 4,400 rpm (max. rcf: 2,800 × g)
- Centrifugation of 15 mL conical tubes and glass test tubes possible
- Optional: inserts to fit test tubes (sold separately)

Fixed-angle rotors for the Centrifuges 5702 / 5702 R / 5702 RH



Fixed-angle rotor F-45-24-11

- Maximum rcf: 1,770 × g
- Low-noise centrifugation, even without rotor lid
- Autoclavable (121 °C, 20 min)
- Centrifugation of 1.5 mL and 2 mL Eppendorf Tubes
- Adapter for:
 - 0.2 mL PCR tubes
 - 0.4 mL centrifuge tubes
 - 0.5 mL micro test tubes and 0.6 mL Microtainer tubes

Fixed-angle rotor F-45-18-17-Cryo

- Maximum rcf: 1,840 × g
- Low-noise centrifugation, even without rotor lid
- Rotor and adapter are autoclavable (121 °C, 20 min)
- Centrifugation of 1 mL–2 mL Cryotubes (max. 13 mm Ø, use with adapter) and screw-cap centrifugation tubes (max. 17 mm Ø, adapter not needed)



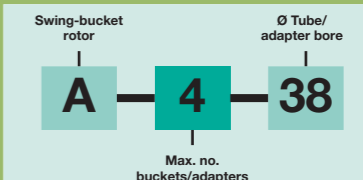
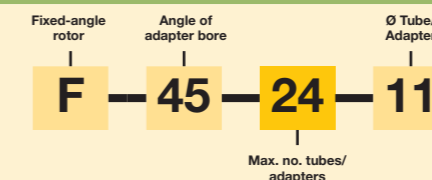
Fixed-angle rotor F-35-30-17

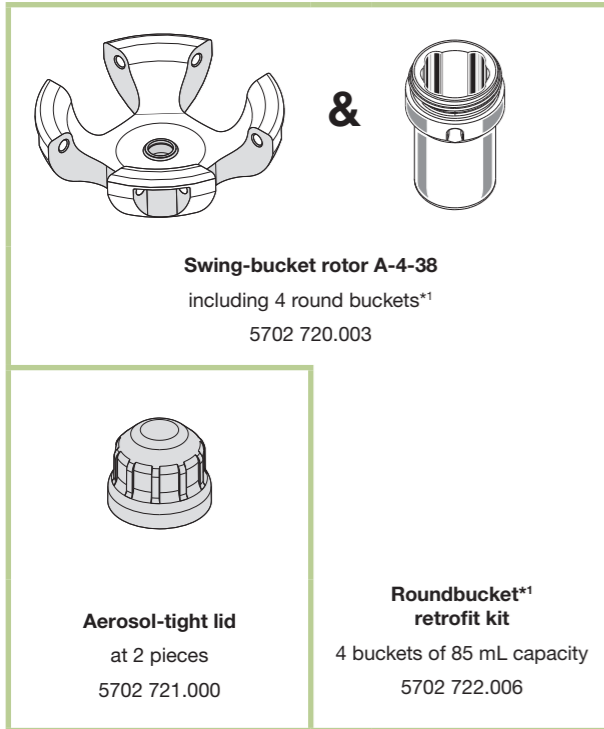
- Aluminum rotor available with 10 or 30 steel sleeves, depending on the number of samples
- Centrifugation of 15 mL conical tubes and glass test tubes
- Supplied inserts allow symmetrical heterogeneous loading
- Maximum rotational speed: 4,400 rpm (max. rcf: 2,750 × g)



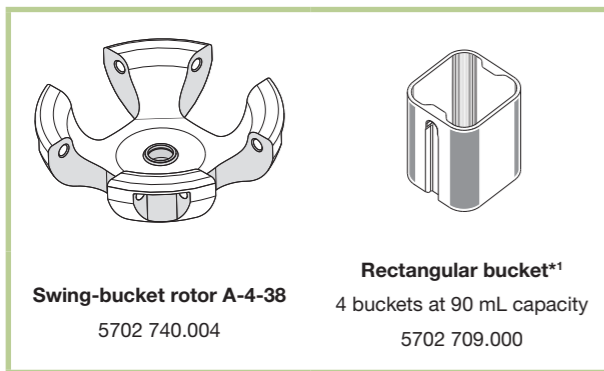
Rotor code

All Eppendorf rotors are designated according to a simple, logical system which describes the technical specifications as a uniform series of numbers and letters e.g.:

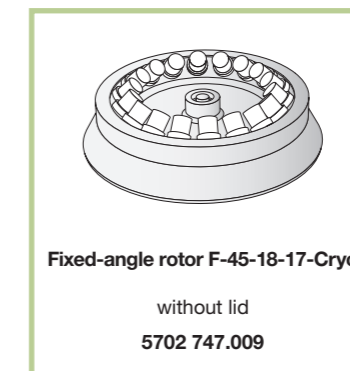
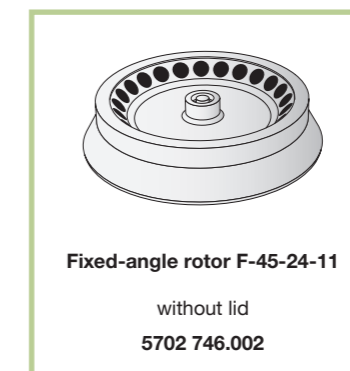




Tube type											
Volumes (mL)	1.5–2.0	1.1–1.4	2–7	2.6–7	4–10	9–15	15 mL conical	15 mL conical	25	50 mL conical	85 ⁴
Adapter											
Order number	5702 745.006	5702 736.007	5702 737.003	5702 719.005	5702 735.000	5702 724.009	5702 732.001	5702 723.002	5702 717.002	5702 734.004	5702 718.009
Maximum tube length for all positions below the lid (mm) ²	–	100	100	100	100	100	120	–	100	115	106
Maximum tube length for all positions without the lid (mm) ²	–	100	100	100	100	100	121	121	100	115	106
Number of tubes per adapter/per rotor	4/16	5/20	5/20	4/16	4/16	4/16	1/4	2/8	1/4	1/4	1/4
Adapter bore (Ø mm)	11	8.5	12.5	13.5	16	17.5	17.2	17.2	25	30	38
Maximum rcf (g-force)	2,900	2,850	2,850	2,850	2,850	2,800	3,000	3,000	2,900	2,900	2,900
Centrifugation radius (mm)	134	132	132	132	132	130	137	137	135	135	135



Tube type					
Volumes (mL)	5–7	9	15	20	25
Adapter					
Order number	5702 710.008	5702 711.004	5702 712.000	5702 713.007	5702 716.006
Maximum tube length for all positions below the lid (mm) ²	100	100	100	100	100
Maximum tube length for all positions without the lid (mm) ²	–	–	–	–	–
Number of tubes per adapter/per rotor	10/40	8/32	6/24	4/16	2/8
Adapter bore (Ø mm)	13	14.5	17.5	22	25
Maximum rcf (g-force)	2,750	2,750	2,750	2,750	2,750
Centrifugation radius (mm)	127	127	127	127	127



*¹ Swing-bucket rotors are delivered with buckets of one weight class. Adapters and tubes, which together do not exceed a maximum weight of **0.19 kg**, can be put in one round bucket. Rectangular bucket sets are delivered with buckets of one weight class. Adapters and tubes, which together do not exceed a maximum of **0.24 kg**, can be put in one rectangular bucket.

The following applies to rotors with round buckets, as well as to rotors with rectangular buckets: The total weight of a loaded bucket (including adapter and filled tubes) may not exceed **0.38 kg**. The weight given on the rotor applies to buckets (including their load).

*² If the maximum tube length is exceeded, the loading capacity of the adapter may be reduced. Please perform a manual swing test.

*³ Warning: Aerosol-tight centrifugation not possible.

*⁴ Nominal volume

Adapter, caps and rotor are autoclavable at 121 °C 20 min.

Attention! Observe safety precautions and operating manual.

Centrifuges 5702 / 5702 R / 5702 RH, Rotors and Accessories

Technical specifications

Description	Centrifuge 5702	Centrifuge 5702 R	Centrifuge 5702 RH
Maximum speed	3,000 × g / 4,400 rpm		
Maximum capacity	4 × 90 mL or 30 × 15 mL		
Noise level with rotor A-4-38	<51 dB(A)	<45 dB(A)	
Dimensions (W x D x H)	32 × 40 × 24 cm	38 × 58 × 26 cm	
Weight	20 kg	36 kg	
Temperature control range	-9 °C to +40 °C		-9 °C to +42 °C

Ordering Information

Description	Order no.
Centrifuge 5702, non-refrigerated, without rotor 230 V/50–60 Hz	5702 000.019
Centrifuge 5702 R, refrigerated, without rotor, 230 V/50–60 Hz	5703 000.012
Centrifuge 5702 RH, heating/refrigerated, without rotor, 230 V/50–60 Hz	5704 000.016
Cell Culture Centrifuge packages	
Centrifuge 5702, 230 V/50–60 Hz, with swing-bucket rotor A-4-38 incl. round buckets and 15 mL*/50 mL conical adapters (2 sets of each adapter)	5702 000.329
Centrifuge 5702 R, 230 V/50–60 Hz, with swing-bucket rotor A-4-38 incl. round buckets and 15 mL*/50 mL conical adapters (2 sets of each adapter)	5703 000.420

* Aerosol-tight lids cannot be used together with 15 mL conical tubes

Ordering Information Rotors and accessories	Max. rcf (× g)	Max. rotational speed (rpm)	Rotor radius	Order no.
Swing-bucket rotor A-4-38				
With 4 × 85 mL round buckets	3,000	4,400	14.0 cm	5702 720.003
Without buckets				5702 740.004
Rectangular buckets, 90 mL, set of 4				5702 709.000
Aerosol-tight lids, for 85 mL round buckets, set of 2				5702 721.000
Swing-bucket rotor A-8-17 (without adapters)	2,800	4,400	12.8 cm	5702 700.002
Fixed-angle rotor F-35-30-17				
Includes 30 steel sleeves for 15 mL tubes, with 20 conical tube adapters and 30 rubber mats	2,750	4,400	12.7 cm	5702 704.008
Fixed-angle rotor F-45-24-11, for 24 × 1.5/2.0 mL tubes, without lid	1,770	4,400	8.2 cm	5702 746.002
Fixed-angle rotor F-45-18-17-Cryo, without lid and adapters	1,840	4,400	9.1 cm	5702 747.009

For further ordering numbers of accessories, please refer to the Eppendorf catalog or online.

www.eppendorf.com/centrifugation

eppendorf

Your local distributor: www.eppendorf.com/worldwide

Eppendorf AG · 22331 Hamburg · Germany · Tel: +49 40 538 01-0 · Fax: +49 40 538 01-556 · E-mail: eppendorf@eppendorf.com

Eppendorf North America, Inc. · 102 Motor Parkway · Hauppauge, N.Y. 11788-5178 · USA

Tel: +1 516 334 7500 · Toll free phone: +1 800-645-3050 · Fax: +1 516 334 7506 · E-mail: info@eppendorf.com

Application Support Europe: Tel: +49 1803 666 789 (Preis je nach Tarif im Ausland; 9ct/min aus dem dt. Festnetz; Mobilfunkhöchstpreis 42ct/min)

E-mail: support@eppendorf.com

North America: Tel: +1 800 645 3050 · E-mail: techserv@eppendorf.com

Asia Pacific: Tel.: +60 3 8023 6869 · E-mail: support_asiapacific@eppendorf.com